

SMARTKNIFE™

MODEL: SKC-250, SKC-400, SKC-630, SKC-1000

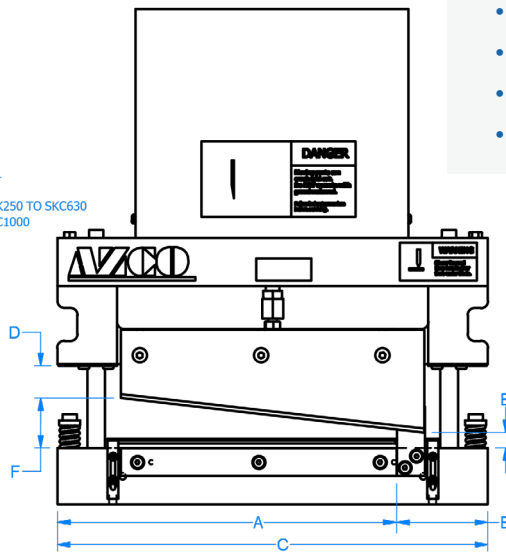
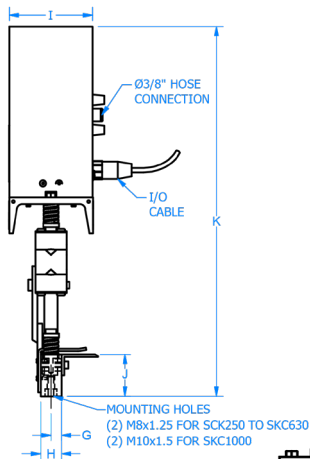


SMARTKNIFE™

SKC SERIES - GUILLOTINE KNIFE TECHNICAL SPECIFICATION

Solid Models & Videos Available Online

The SMARTKNIFE™ is pneumatically operated with a self-contained air cylinder/manifold/solenoid. It is equipped with an embedded microprocessor and complete control package which allows the knife to achieve higher speeds than the standard guillotine presently reaches. With cycle rates up to 400 cuts per minute (not for SKC-1000), this unit is bridging the gap between a conventional guillotine and a rotary knife assembly. Its compact size and low price offer great flexibility over a rotary knife solution. All you need is an air supply and signal.



MODEL	UNIT	A	B	C	D	E	F	G	H	I	J	K
SKC-250	mm	250	290	390	83	14	35	31	45	102	51	443
	in	9.8	11.4	15.4	3.3	0.6	1.4	1.2	1.8	4	2	17.4
SKC-400	mm	400	440	540	83	24	50	28	46	102	51	447
	in	15.8	17.3	21.3	3.3	0.9	2	1.1	1.8	4	2	17.6
SKC-630	mm	630	670	770	83	18	50	30	50	102	51	447
	in	24.8	26.4	30.3	3.3	0.7	2	1.2	2	4	2	17.6
SKC-1000	mm	1,000	1,060	1,210	124	26	75	25	81	104	102	589
	in	39.4	42.7	47.6	4.9	1	3	1	3.2	4.1	4	23.2

BENEFITS

- Easy installation
- Includes mounting holes
- High cycle rate
- Clean cuts
- Long blade life
- Low maintenance

SPECIFICATIONS

- Pneumatically operated
- Self-contained package includes:
Cylinder, Manifold, Solenoid
- Microprocessor monitors system
- Power requirements: 24 V DC
- 90 psi (6 bar) compressed air

OPTIONS

- Guarding
- Additional controls
- Feed rollers
- Custom sizes available up to 1,650mm [65"]



WARNING:

EQUIPMENT MUST BE GUARDED IN ACCORDANCE WITH ALL FEDERAL, STATE, AND LOCAL REQUIREMENTS.



CUSTOM FEEDING & CUTTING SOLUTIONS

26 Just Road, Fairfield, NJ 07004 | 973-439-1428 | azcocorp.com

