

AZCO SUR-PAK™ POUCH DISPENSER

MODEL: SP-4D



AZCO SUR-PAK™ POUCH DISPENSER

SP-4D TECHNICAL SPECIFICATION

Solid Models & Videos Available Online

This dispenser handles pouches up to 60mm [2.36"] wide and 7mm [0.275"] thick at speeds of up to 100 cuts per minute. It incorporates a guillotine cutter and uses compressed air to drive the knife. It is ideal for your pre-existing production line or a new build with limited space applications.

AZCO pouch dispensers feed and cut 3-dimensional pouched products from a continuous strip wound onto a reel or from a fan folded container. Typical products are desiccants, ingredient pouches for food products, overwrapped medical components, household components, and promotional materials. A dual tractor drive system easily handles a continuous web of slippery foil and Tyvek pouches without the crushing pressure associated with nip roll drives. Unit removes product variation issues and accurately registers cut position even with irregular pouch lengths, to ensure high reliability. Eliminates the need for manual insertion of materials. Set up changes are made easily through a color touch screen. These dispensers are used worldwide.

BENEFITS

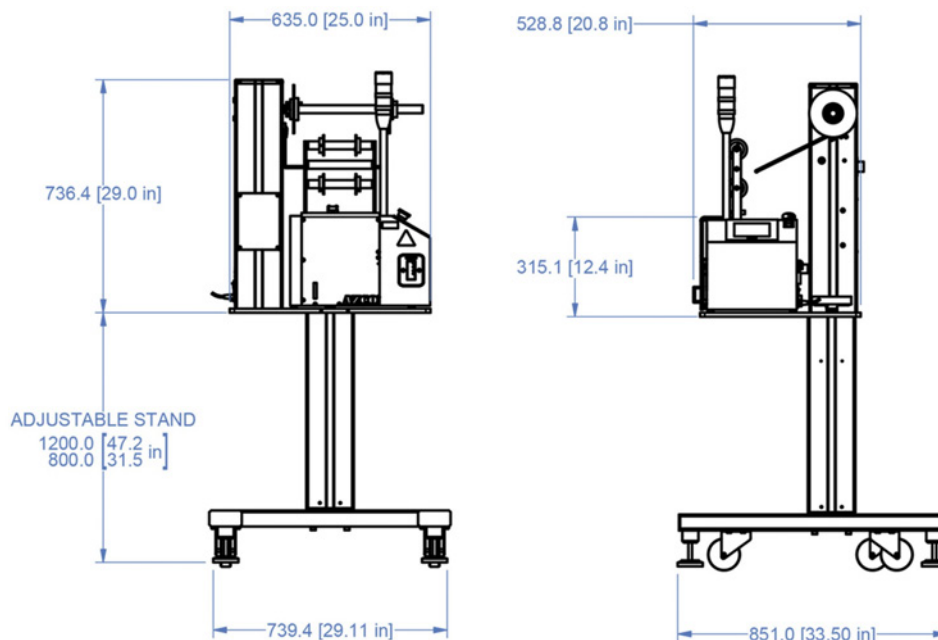
- Increased speed and reliability over manual entry
- Self-threading
- Product changeover in under 5 minutes
- Allows for no contact desiccant insertion

SPECIFICATIONS

- Maximum web width: 60mm [2.36"]
- Maximum thickness: 7mm [0.275"]
- Power Requirements: 110 VAC to 230 VAC
single phase 50 or 60 cycles
- 90 psi [6 bar] compressed air
- Cycle Rate: 100 cuts per minute
depending on packet size
- Waffle grip belt system - grips material on both side

OPTIONS

- Bottle handling systems
- Enclosure
- Clean room or wash down models
- CE Listing
- Multiple communication options available
- Power assist for pulling out of a container



WARNING:

EQUIPMENT MUST BE GUARDED IN ACCORDANCE WITH ALL FEDERAL, STATE, AND LOCAL REQUIREMENTS.



CUSTOM FEEDING & CUTTING SOLUTIONS

26 Just Road, Fairfield, NJ 07004 | 973-439-1428 | azcocorp.com

