

# TUBING CUTTER

MODEL: PC-25

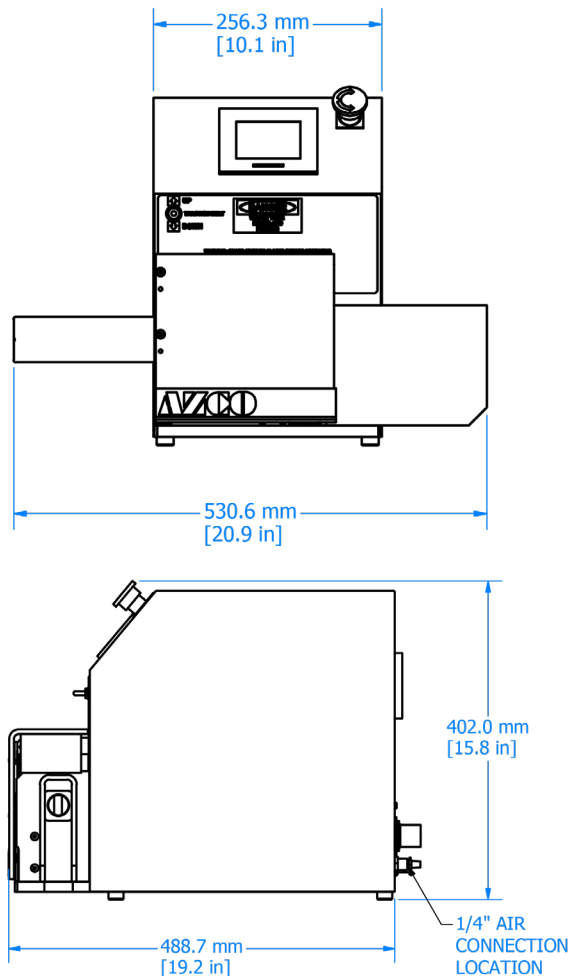


# TUBING CUTTER

## PC-25 TECHNICAL SPECIFICATION

Solid Models & Videos Available Online

This automatic bench top tubing cutter is ideal for your medical and flexible tube processing. Automating your process reduces your risk of contamination by human contact, and increases accuracy, speed and productivity. The tubing is indexed by a dual drive tractor belt system for high accuracy. For easy operator use, the indexing motor is controlled by the touch screen; simply enter the length and number of pieces. Some options include material guides, a lubrication system, and a dancer unwind & baseplate package.



## BENEFITS

- Reduce human contact with tubing to increase efficiency and consistency
- Compact bench top unit with permanently sealed and lubricated bearings
- Easy operator interface using touch screen – enter the length and number of parts
- Reduce inventory by making on-demand
- Quick, easy, tool-less blade replacement
- Tractor belt is pre-loaded to allow for adjustable holding force to ensure tubing doesn't slip or get crushed
- Drive belts allow for a larger contact area, leading to higher accuracy and faster speeds
- Includes capability to store up to (20) recipes

## MATERIALS

Most flexible non-wire reinforced tubing such as:

Flexible Fuel Line | Flexible PVC | Hosing | Latex | Medical tubing | Nylon tubing | Polyethylene | Polypropylene | Rubber Hose | Silicone | Tygon | Vinyl Tubing

## SPECIFICATIONS

- Maximum outside diameter: 25mm [1"]
- Power Requirements: 110 VAC 50 to 60 Hz
- Air Requirements: 2.75 - 6 bar [40 - 60 psi]
- Cut Length: 5 - 9,999mm [0.2 - 999"]
- Tolerance: +/- 1mm [0.039"] or 0.5% of the length (whichever is larger)

## OPTIONS

- Alcohol lubrication system
- Barcode scanning program
- Material guides
- No-product sensor
- One-shot for a remote input signal
- Particle vacuum system, great for clean rooms
- Unwind and baseplate package



### WARNING:

EQUIPMENT MUST BE GUARDED IN ACCORDANCE WITH ALL FEDERAL, STATE, AND LOCAL REQUIREMENTS.



CUSTOM FEEDING & CUTTING SOLUTIONS

26 Just Road, Fairfield, NJ 07004 | 973-439-1428 | [azcocorp.com](http://azcocorp.com)

