

CANTILEVER UNWIND/REWIND

MODEL: UB BRAKE, UD DANCER, UM MOTOR



CANTILEVER UNWIND/REWIND

UB BRAKE, UD DANCER, UM MOTOR TECHNICAL SPECIFICATION

Solid Models & Videos Available Online

UB BRAKE: The unpowered unwind stand uses a hysteresis-type magnetic brake to control web tension. Torque control is accomplished by turning the large knurled adjustment ring. Repeatability and accuracy are excellent.

UD DANCER: Cantilever-style unwind stands, both powered and unpowered, are available. They can be bench-mounted and are simple to use. The flange can be removed and locked in place without tools. The unit comes with an on/off switch as well as a three-position toggle switch for easy operation. The unwind/rewind controls tension using the provided dancer.

UM MOTOR: A motorized unwind has a manual control on the unwind tower which controls the motor speed. An optical sensor keeps the material loop within the desired limits. This is important when running a fragile material such as filter media where tension would have a negative effect on the material. It is also important when running heavy material where excess tension would reduce accuracy.

PRODUCT	STYLE	DESCRIPTION
UNPOWERED	Unwind	Brake
	Unwind	Freewheel
MOTORIZED	Unwind/Rewind	Dancer
	Unwind/Rewind	Sensor Loop
	Unwind/Rewind	Load Cell
	Rewind	Clutch
	Unwind/Rewind	Manual Speed Control

BENEFITS

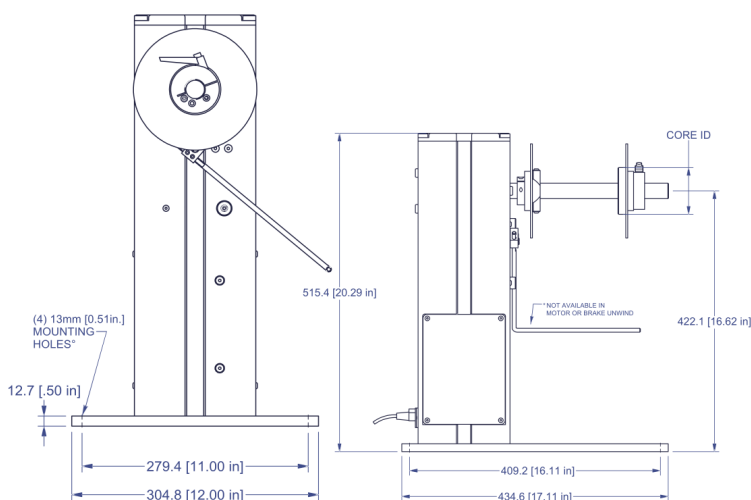
- Quick changeover without tools
- Long-lasting

SPECIFICATIONS

- Power requirements: 110 VAC or 220 VAC (UB Brake not powered)
- Maximum roll diameter: 610mm [24"]
- Maximum roll weight: 45kg [99lb]
- Maximum roll width: 965mm [38"]

OPTIONS

- Multiple roll unwinding
- Core holders: air shaft, flange, differential
- Bases: direct, stand, baseplate
- Custom unwinds up to 1,016mm [40"] wide and 1,361kg [3,000lb]



Drawing represent similarities available across all models.
* Dancer arm not available on all unwinds. For precise image specifications please refer to our website.



WARNING:

EQUIPMENT MUST BE GUARDED IN ACCORDANCE WITH ALL FEDERAL, STATE, AND LOCAL REQUIREMENTS.



CUSTOM FEEDING & CUTTING SOLUTIONS

26 Just Road, Fairfield, NJ 07004 | 973-439-1428 | azcocorp.com

