

SUR-SIZE™ CUT-TO-LENGTH ASSEMBLY

MODEL: FG-250, FG-400, FG-630



CUSTOM FEEDING & CUTTING SOLUTIONS

26 Just Road, Fairfield, NJ 07004 | 973-439-1428 | azcocorp.com

SUR-SIZE™ CUT-TO-LENGTH ASSEMBLY

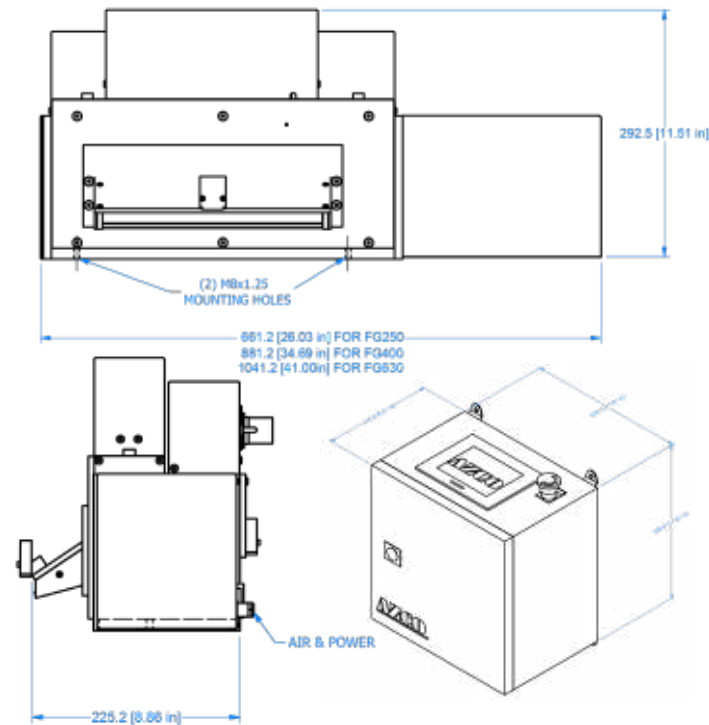
FG-SERIES TECHNICAL SPECIFICATION

Solid Models & Videos Available Online

The combination of a knife assembly and a roll feeder creates a SUR-SIZE™ cut-to-length assembly. The SUR-SIZE™ cut-to-length assemblies are capable of handling a wide variety of flexible materials. The cut-to-length assembly is a reliable, simple to use, self-contained module. It is a complete unit that delivers a finished product to your specifications.

Simple and easy to use, just enter the length and quantity on the color touchscreen. The unit automatically feeds, cuts, and counts the pieces to meet your requirements. An end-of-cycle signal is provided once the cuts are completed. For an automated one-shot process, this unit will feed and cut the material on demand. Clean cuts are provided by the guillotine knife assembly.

This integrated unit is a convenient package for many users who just want to plug in a power cord and air-line to start cutting their product.



BENEFITS

- Flexible use as a stand-alone unit or as an in-line component
- Easy operator interface with color touchscreen
- Enter lengths in either inches or metric
- On demand one-shot cycles
- Reduced scrap
- Eliminates the need for a large inventory of cut product

MATERIALS

Absorbent Pads | Felt | Film | Foam | Foil | Gaskets | Hook and Loop | Laminates | Mesh | Metalized Film | Nonwovens | Paper | Personal Care Products | PTFE | Rubber | Shrink Tubing | Tape | Test Strips | Thin Gauge Metal

SPECIFICATIONS

- Recommended cut lengths: 50mm [2"] and up
- Widths: 250mm [9.84"], 400mm [15.75"], 630mm [24.80"]
- Material thickness: less than 5mm [0.19"]
- Cycle Rate (CPM): 80cpm at under 10"
- Power requirements: 110 VAC 50 - 60Hz
- Air requirement: 40 - 90 psi [2.75 - 6 bar]
- Accuracy: +/- 0.38mm [0.015"] or 0.1% of cut length (whichever is greater)

OPTIONS

- Eye registration
- No-product and jam sensor
- High speed servo motor
- High accuracy drive up to +/- 0.13mm [0.005"]
- Infeed roll unwind
- Outfeed conveyor
- Additional I/O and communication options
- Slitter attachment
- Blade materials: D2, SS, Ceramic, Titanium Coated
- Roller materials
- Static control
- Adhesive package
- Specials up to 1,650mm [65"] wide

WARNING:

EQUIPMENT MUST BE GUARDED IN ACCORDANCE WITH ALL FEDERAL, STATE, AND LOCAL REQUIREMENTS.



CUSTOM FEEDING & CUTTING SOLUTIONS

26 Just Road, Fairfield, NJ 07004 | 973-439-1428 | azcocorp.com

