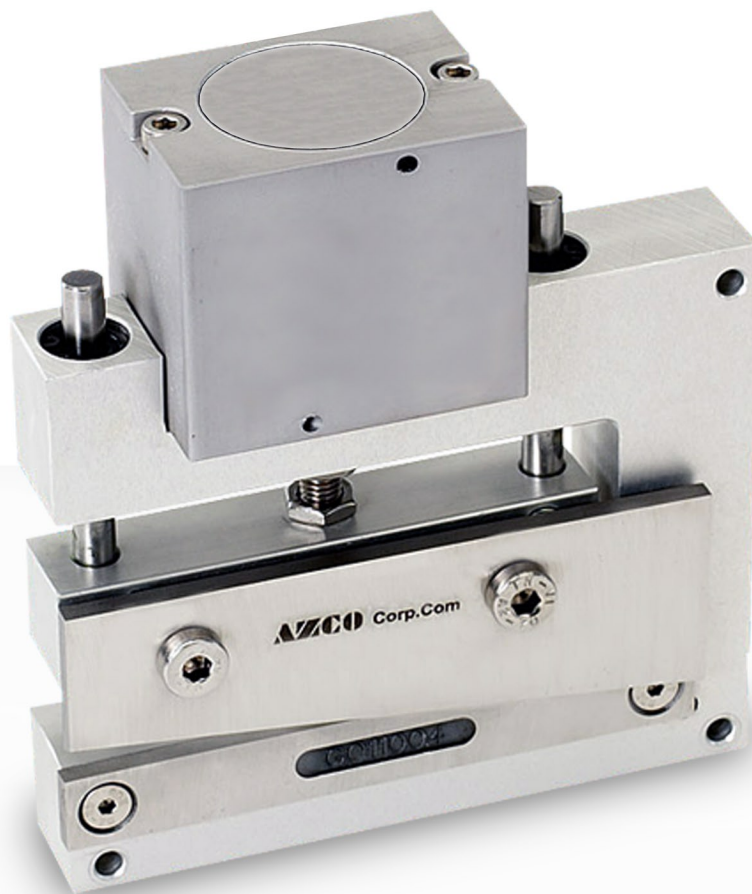


SUR-CUT™ GUILLOTINE KNIFE ASSEMBLY

GO-80
GO-110
GO-160

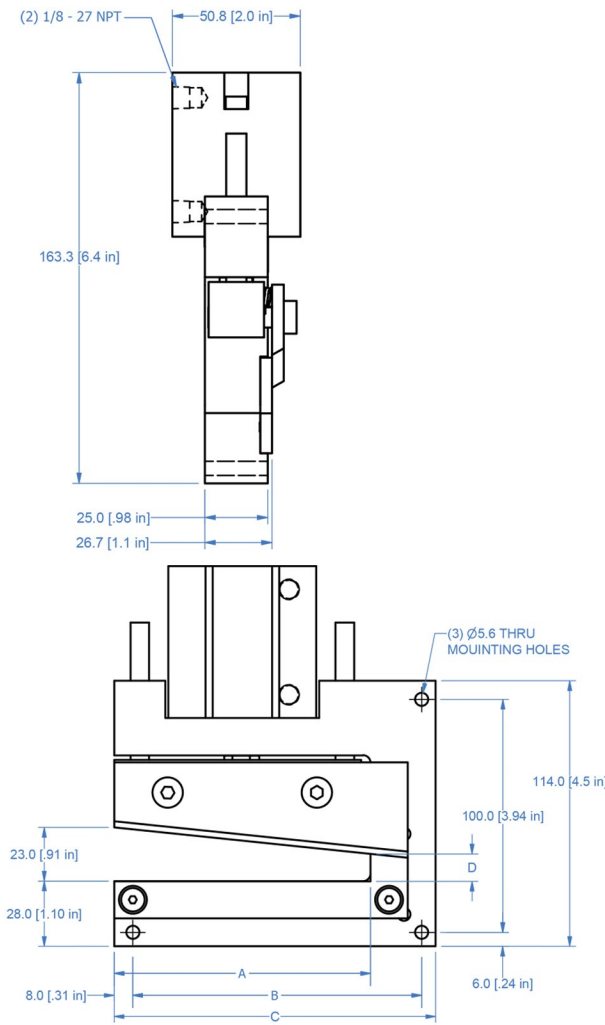


SUR-CUT™ GUILLOTINE KNIFE ASSEMBLY

GO SERIES TECHNICAL SPECIFICATION

Solid Models & Videos Available Online

AZCO Corp. offers complete, modular guillotine knife assemblies ready to install as stand-alone or in-line units. These units can be mounted in any position for convenient operation and cut a wide variety of flexible materials. The open frame design gives easy access to the material. Mounting holes allow quick installation. We also offer our GC and GH series for wider materials.



MODEL	UNIT	A	B	C	D	WEIGHT	
GO-80	mm	80	94	108	12.2	kg	1.0
	in	3.1	3.7	4.3	0.48	lb	2.2
GO-110	mm	110	124	138	11.7	kg	2.3
	in	4.3	4.9	5.4	0.46	lb	5.1
GO-160	mm	160	174	188	11.2	kg	3.2
	in	6.3	6.9	7.4	0.44	lb	7.1

AVAILABLE TO 250 MM/10 IN.

BENEFITS

- Proven off-the-shelf design
- Simple installation and hook-up
- Clean cuts
- Low maintenance
- Holes provided for mounting on flat, single-plane surfaces
- D2 hardened tool steel blades for long life

MATERIALS

- Films
- Foils
- Hook and loop
- Light gauge metals (.25mm/.01 in.)
- Non-wovens
- Paper
- Foam rubber
- Ribbon cables and many others

SPECIFICATIONS

- **Cutting Rate:** Up to 200 cuts per minute. Rate is governed by air pressure and flow rate.
- **Construction:** Aluminum anodized frame, tool steel blades, linear bearings.
- **Power Requirements:** 30-90 psi [2 - 6 bar] compressed air (depending on material).

OPTIONS

- SMARTKNIFE™ package
- Blade position sensors
- Custom blade geometry
- Variety of blade material and coatings
- Pneumatic or Spring hold-down clamp



MADE IN THE USA



WARNING:

EQUIPMENT MUST BE GUARDED IN ACCORDANCE WITH ALL FEDERAL, STATE, AND LOCAL REQUIREMENTS



visit us online!



CUSTOM FEEDING & CUTTING SOLUTIONS

26 Just Road, Fairfield, NJ, 07004 | 973-439-1428 | azcocorp.com